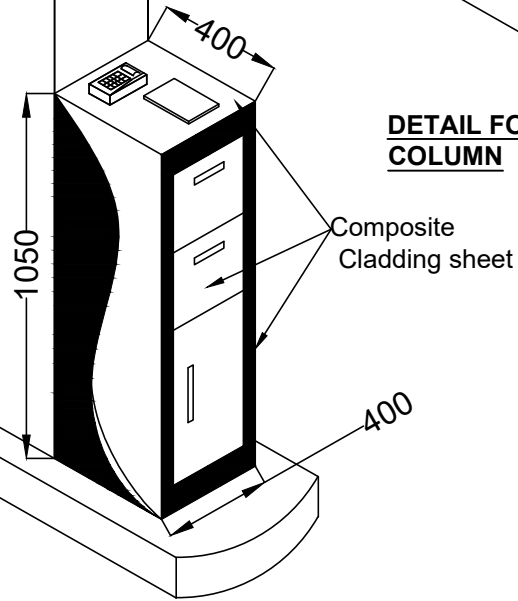
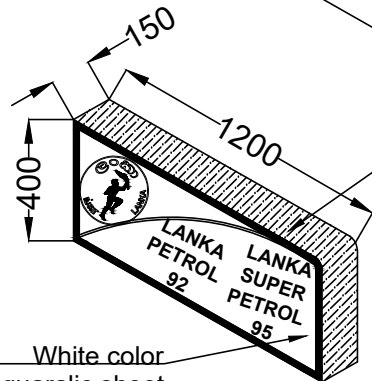


DETAIL FOR SINGLE COLUMN



Composite Cladding sheet



Composite Cladding sheet

DETAIL FOR DOUBLE COLUMN

White color Aqaralic sheet (Both side)



CEYLON PETROLEUM CORPORATION

ENGINEERING & PREMISES DEPARTMENT
 NO. 609,
 DR. DANISTER DE SILVA MAWATHA,
 DEMATAGODA,
 COLOMBO -09.

TP. NO. 5661717, 5661818
 FAX 5455408

CEYPET / ENG / SK /0437

DATE: 17.02.2026

DRAWN BY : PRABATH